

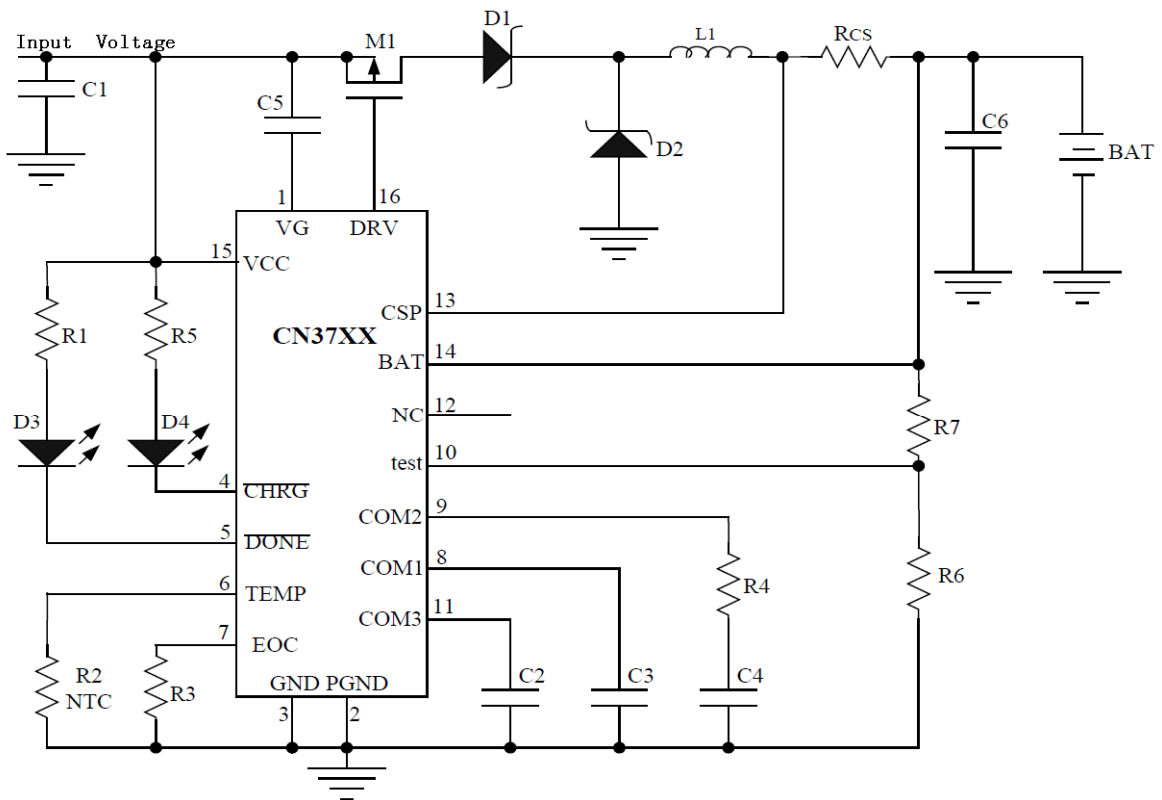
# CONSONANCE

## Quick Start of CN37XX Demo Board

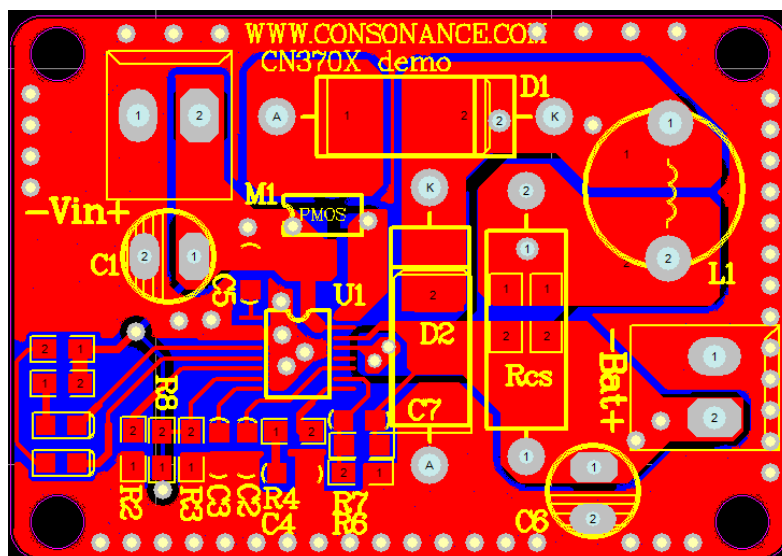
### 1、 Overview

CN37XX demo board is for the purpose of fast evaluation of CN3702/CN3703/CN3704/CN3705 /CN3717/CN3722.

### 2、 Schematic of CN37XX Demo Board



### 3、 PCB Layout of CN37XX Demo Board



# CONSONANCE

## 4、 Component List and Descriptions

No.	Name	Description
1	Vin+	Positive Terminal of Input Power Supply.
2	BAT+	Positive Terminal of Battery.
3	GND	Negative Terminal of Input Power Supply.
4	M1	P channel MOSFET. On one side of the demo board, the footprint of SOP8 package is available, and on the other side of the demo board, the footprint of SOT23-3 is provided. The users can select the right P channel MOSFET based on the operating conditions.
5	U1	The Charge management IC,U1 is one of the CN3702/CN3703/CN3704/CN3705/CN3717/CN3722.
6	D1,D2	Schottky Diodes.
7	D3	LED for charge termination indication.
8	D4	LED for charge indication.
9	L1	Inductor.
10	Rcs	Charge current sense resistor.
11	C1	Input Power Supply Bypassing Capacitor.
12	C2	Ceramic Capacitor, the capacitance value is 100nF.
13	C3	Ceramic Capacitor, the capacitance value is 470pF.
14	C4	Ceramic Capacitor, the capacitance value is 220nF.
15	C5	Ceramic Capacitor, the capacitance value is 100nF.
16	C6	Output Capacitor. Generally, 10uF can meet the requirements.
17	R1, R5	LED current limiting resistor.
18	R2	Resistor.
19	R3	End-of-charge current setting resistor.
20	R4	Resistor, the value is 120Ω.
21	R6	Resistor, please refer to CN3705/CN3717/CN3722's datasheet.
22	R7	Resistor, please refer to CN3705/CN3717/CN3722's datasheet.